

[-> to the product](#)



Wedge wire filter AS175-FD & wedge wire element



Scraper blade unit AS175-FD

MTS & APIC wedge wire filters are self-cleaning filter units which, with their robust stainless steel construction and user-friendly design, are also ideally suited for demanding operating conditions.

Essentially, the AS175-FD is composed of the following assemblies that can be disassembled without tools:

- One-piece filter housing
- Lid with worm gear motor
- Scraper blade unit with wedge wire element and scraper blade

The filtration process takes place through the filter element from the outside to the inside, with the solids accumulating on the outside. The gear motor rotates the cylindrical wedge wire element and the applied scraper blade scrapes the solids from the outer surface. These solids then settle in the lower part of the filter housing and are discharged to the outside by the system pressure inside the housing when the drain valve is opened.

Discharge of solids can generally be accomplished in three ways:

- Manually: By opening and closing a ball valve
-> *Timer control TA-01B*
- Automatic: By a time-controlled valve
-> *Automatic control AS-E4-01*

(Valve and control variants are not included in the standard scope of delivery)

Maintenance and cleaning of the filter is possible without much effort, as only four eyebolts have to be loosened in order to take off the lid (with gear motor) and remove the scraper blade unit.

After the interior of the housing is accessible easily and can be completely cleaned very easily.

Optionally, the filter is also available in an internally polished version, which again significantly improves the cleaning behavior.

Technical data

Material housing:	Stainless steel 1.4404/ 1.4571	
Material filter element:	Stainless steel 1.4404	
Material Scraper blade:	Stainless steel 1.4310	
Gaskets/ O-Rings:	Viton (others on demand), PTFE	
Micron rating:	25µm to 3000µm	
Working pressure:	0 to +10 bar (16 bar on demand)	
Working temperature:	+10°C to +80°C (others on demand)	
Gear drive:	Worm gear motor	
Mains connection:	400 V, 50 Hz (others on demand)	
Protection type:	IP65 (optional with ATEX)	
Flow rate:	<u>AS110-FD</u> Max. 25 m ³ /h ¹	<u>AS175-FD</u> Max. 35 m ³ /h ¹

¹based on water at 100 µm

Main features

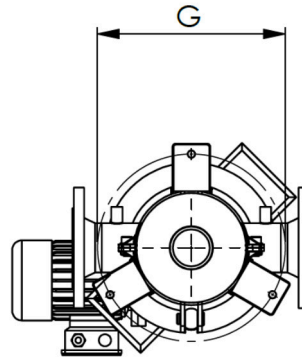
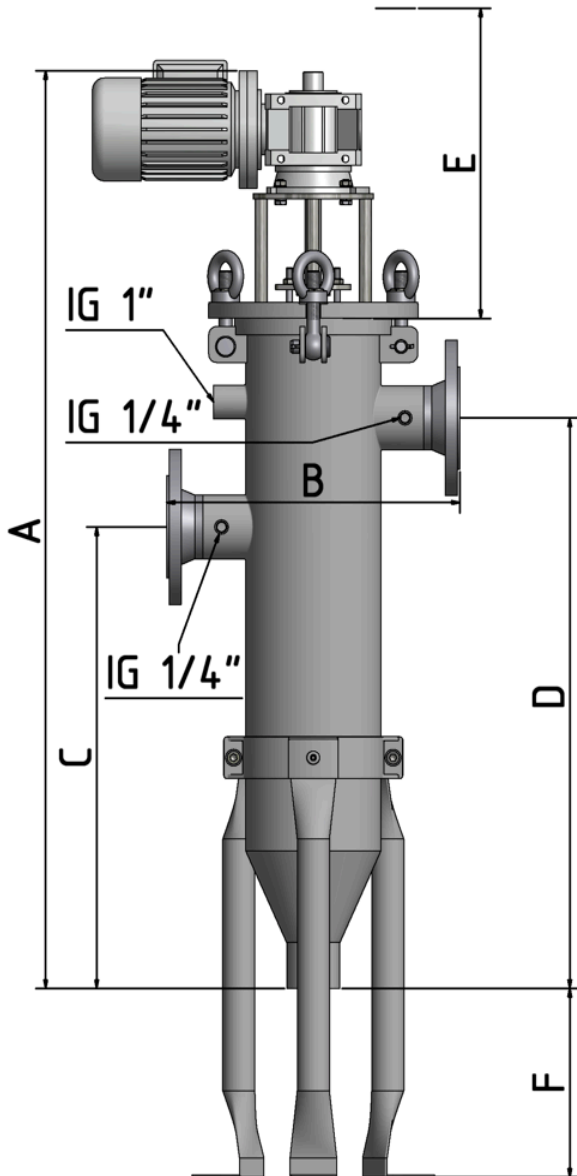
- Clean and dirt room can be cleaned fast and easy
- Dismounting of the scraper blade unit without tools
- No filterelement disposal
- The product waste is kept to a minimum
- Easy dismounting of the wedge wire element
- Self-cleaning with no interruption of production process
- Suitable for almost all fluids
- High resistance to differential pressure

Applications

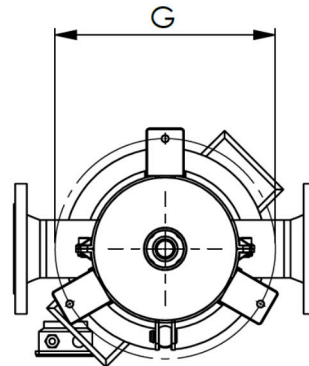
- Chocolate
- Cocoa mass
- Marzipan
- Kaffee-Extrakt
- Yeast
- Paints and varnishes
- Printer colours
- Underbody protection
- Adhesives
- Tar products
- Solvents
- Oil
- Emulsions
- Plasticizers
- Polyurethan



[-> to the product](#)



AS110-FD



AS175-FD

Dimensions

Type	A	B	C	D	E	F	G
AS110-FD	1145	365	550	680	580	20-290	288
AS175-FD	1200	465	560	710	700	110-330	338,5



AS175-FD
Volume: 26,5l

AS110-FD
Volume: 15l

Order information

AS - FD

Flange	
110	DN65
175	DN80

Order example: AS175-FD